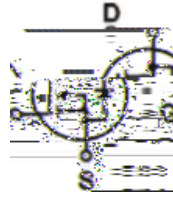




Product Summary

The ZM130N03L combines advanced trench MOSFET technology with a low resistance package to provide extremely low $R_{DS(ON)}$.



Trench technology

$R_{DS(ON)}$ to minimize conductive loss

DC/DC Converters in Computing, Servers
Isolated DC/DC Converters in Telecom and Industrial



	REEL TAPE
	3000

$T_C = 25$

Parameter	Symbol	Rating	Unit
Drain-Source Voltage	V_{DS}	30	V
Gate-Source Voltage	V_{GS}	20	V
Continuous Drain Current	$I_{D@TC=25}$	8	A
	$I_{D@TC=75}$	6	A
	$I_{D@TC=100}$	5	A
Pulsed Drain Current	I_{DM}	20	A
Total Power Dissipation	$P_D@TC=25$	18	W
Total Power Dissipation	$P_D@TA=25$	0.9	W
Operating Junction Temperature	T_J	-55 to 150	
Storage Temperature	T_{STG}	-55 to 150	
Single Pulse Avalanche Energy@L=0.1mH	E_{AS}	20	mJ



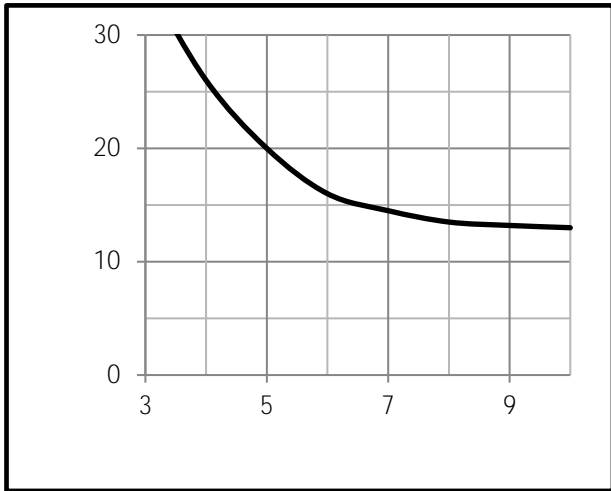


Fig.9 Switching Time Measurement Circuit

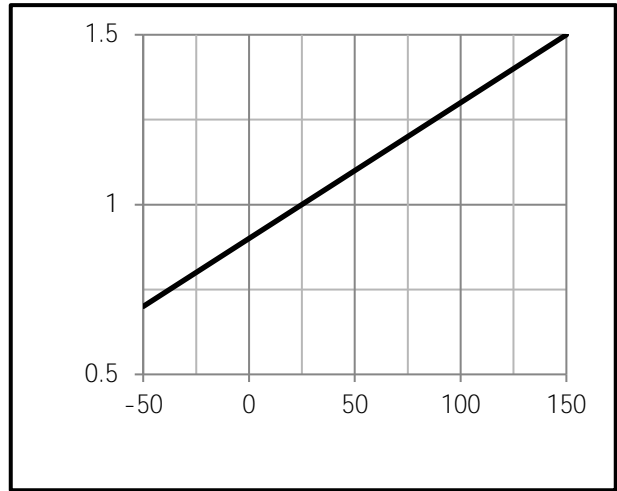


Fig.10 Gate Charge Waveform

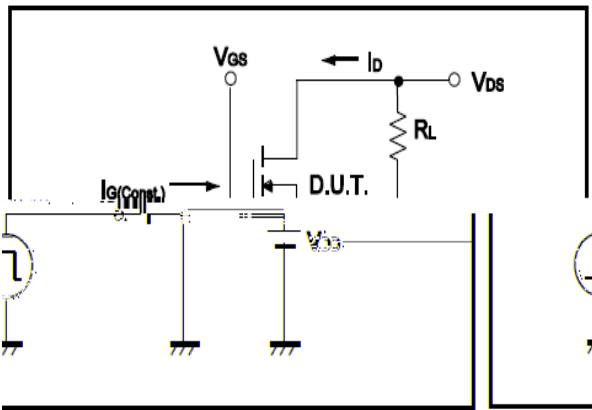


Fig.11 Switching Time Measurement Circuit

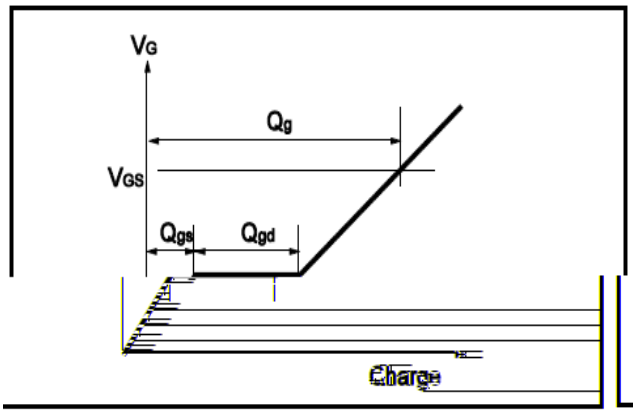


Fig.12 Gate Charge Waveform

