



Maximum Ratings $T_C = 25$

| Parameter | Symbol | Rating | Unit |
|--------------------------|----------------|----------|------|
| Drain-Source Voltage | V_{DS} | 60 | V |
| Gate-Source Voltage | V_{GS} | ± 20 | V |
| Continuous Drain Current | $I_{D@TC=25}$ | 38 | A |
| | $I_{D@TC=75}$ | 28.9 | A |
| | $I_{D@TC=100}$ | 23.9 | A |
| Pulsed Drain Current | I_{DM} | 76 | A |
| Total Power Dissipation | $P_D@TC=25$ | 50 | W |



Thermal resistance

| Parameter | Symbol | Min. | Typ. | Max. | Unit |
|------------------------------|--------|------|------|------|------|
| Thermal resistance, junction | | | | | |

Fig.1 Power Dissipation

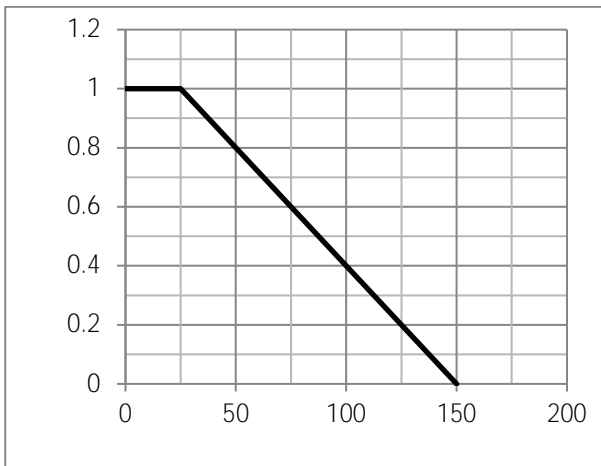


Fig.2 Typical output Characteristics

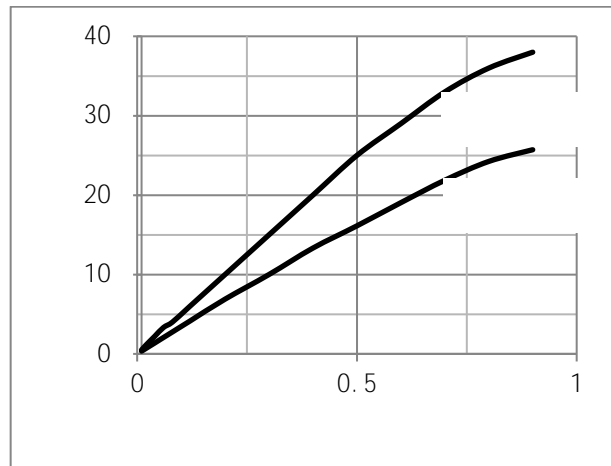


Fig.3 Threshold Voltage V.S Junction Temperature

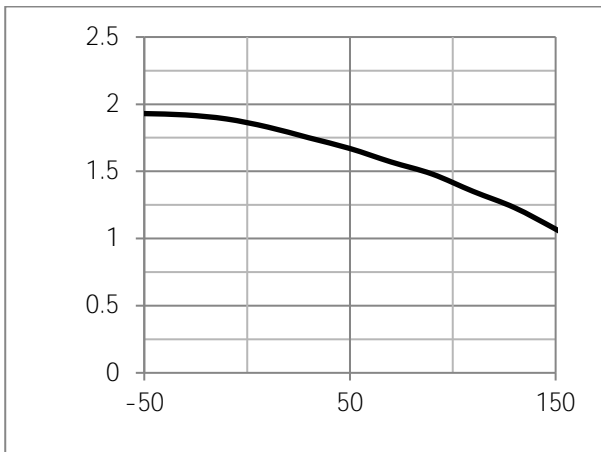


Fig.4 Resistance V.S Drain Current

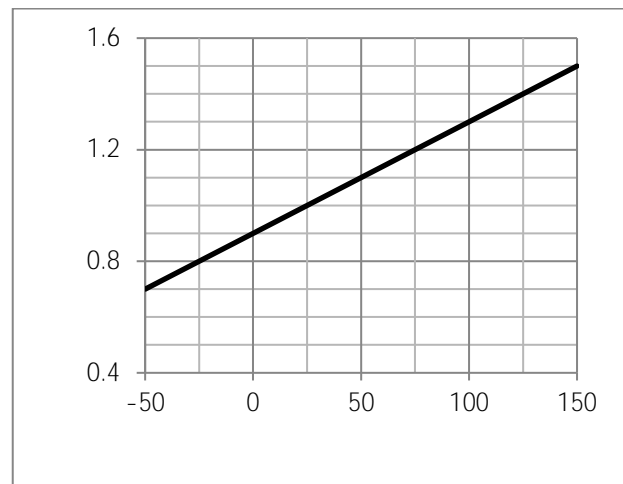
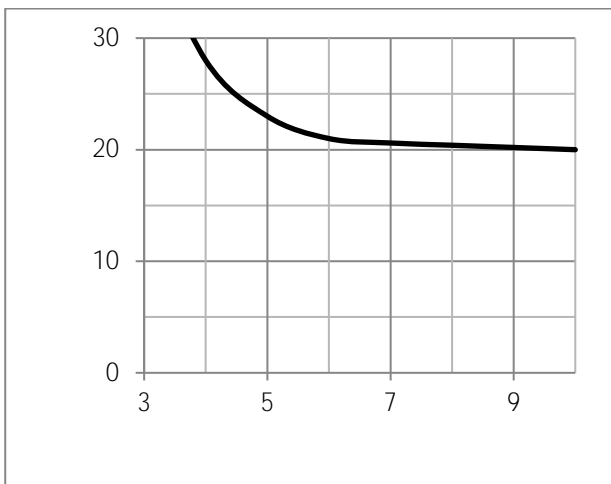
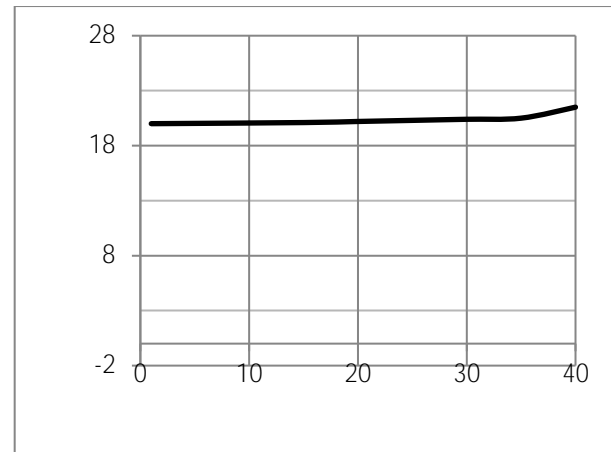


Fig.7 Switching Time Measurement Circuit

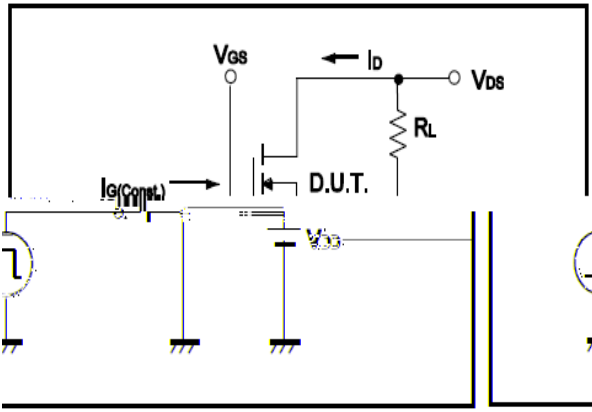


Fig.8 Gate Charge Waveform

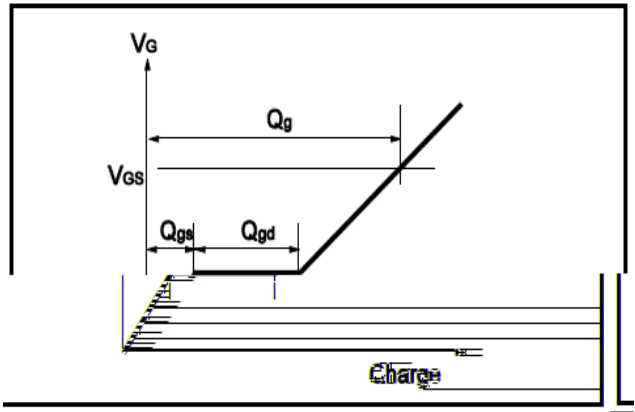


Fig.9 Switching Time Measurement Circuit

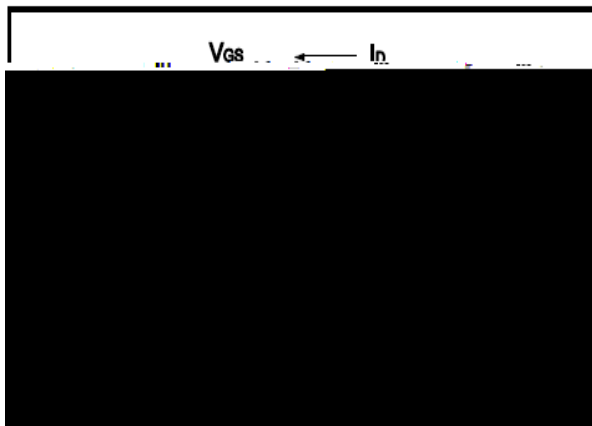


Fig.10 Gate Charge Waveform

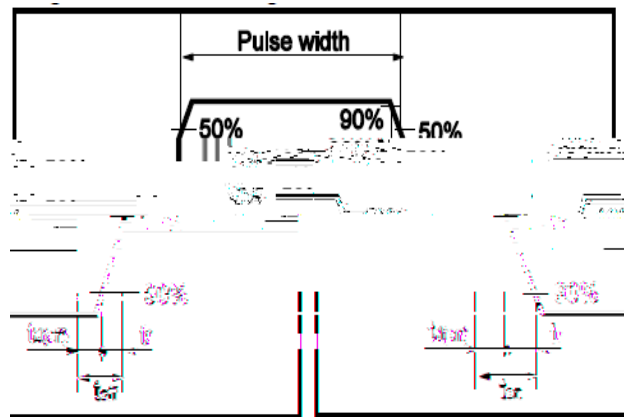


Fig.11 Avalanche Measurement Circuit

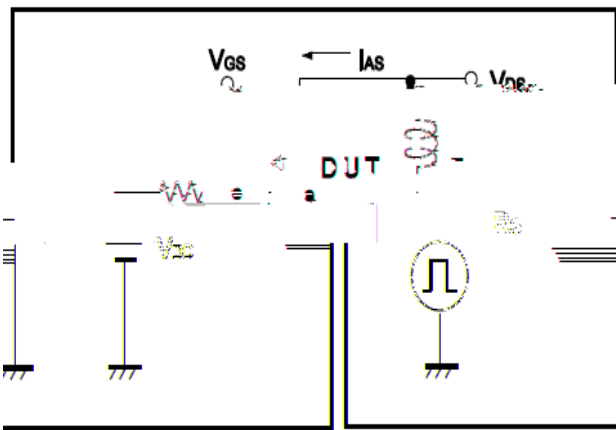


Fig.12 Avalanche Waveform

