



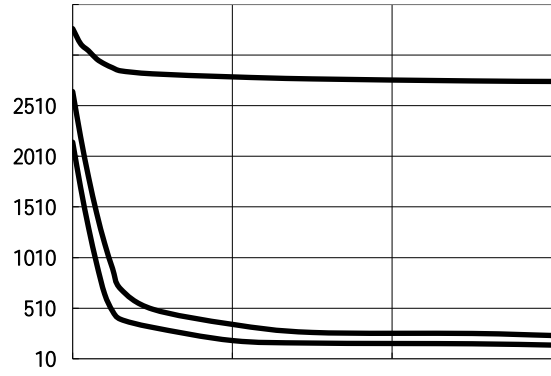
T_c =25

Parameter	Symbol	Rating	Unit
Drain-Source Voltage	V _{DS}	-20	V
Gate-Source Voltage	V _{GS}	±12	V
Continuous Drain Current(TC=25°C)	I _{D@TC=25°C}	-42	A
	I _{D@TC=75°C}	-32	A
	I _{D@TC=100°C}	-26	A
Pulsed Drain Current ①	I _{DM}	-126	A
Total Power Dissipation	P _D	85	W
Total Power Dissipation(TA=25°C)	P _{D@TA=25°C}	3.4	W
Operating Junction Temperature	T _J		



Thermal resistance

Parameter	Symbol	Min.	Typ.	Max.	Unit
Thermal resistance, junction - case	R _{thJC}	-	-	1.5	° C/W
Thermal resistance, junction - ambient	R _{thJA}	-	-	37	° C/W
Soldering temperature, wave soldering for 10s	T _{sold}	-			



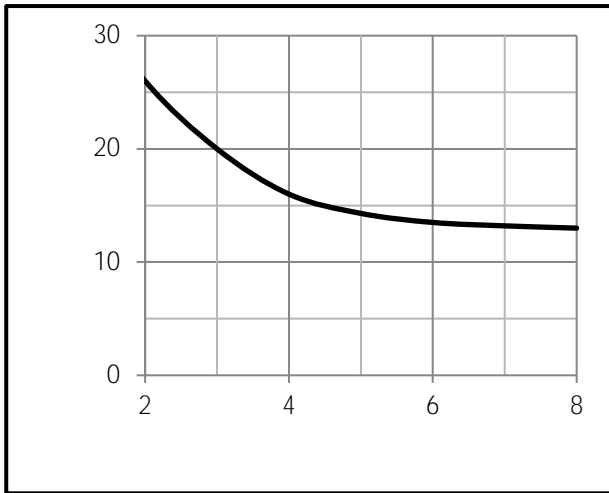


Fig.9 Switching Time Measurement Circuit

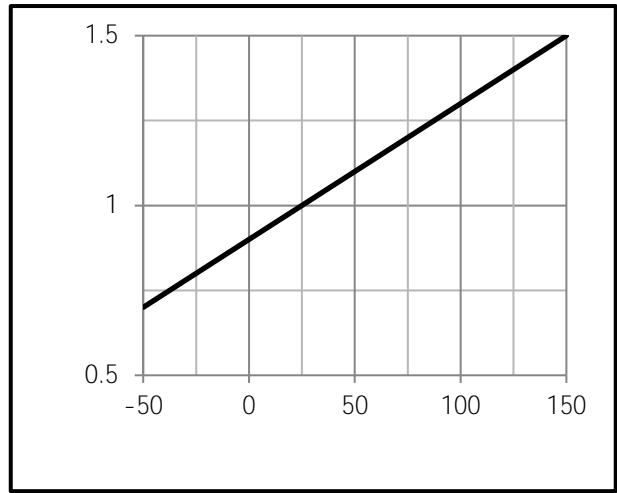


Fig.10 Gate Charge Waveform

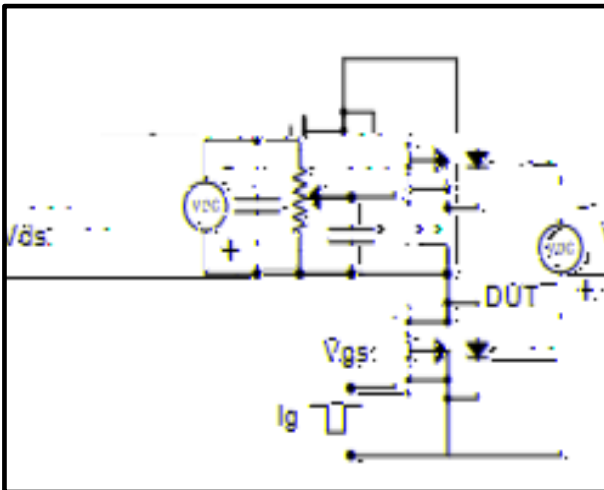


Fig.11 Switching Time Measurement Circuit

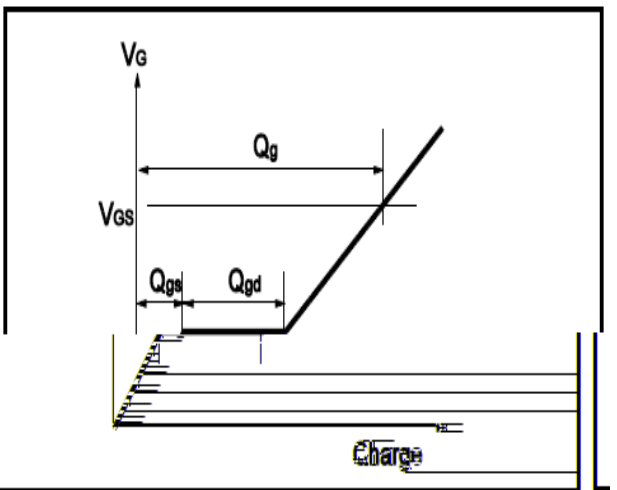
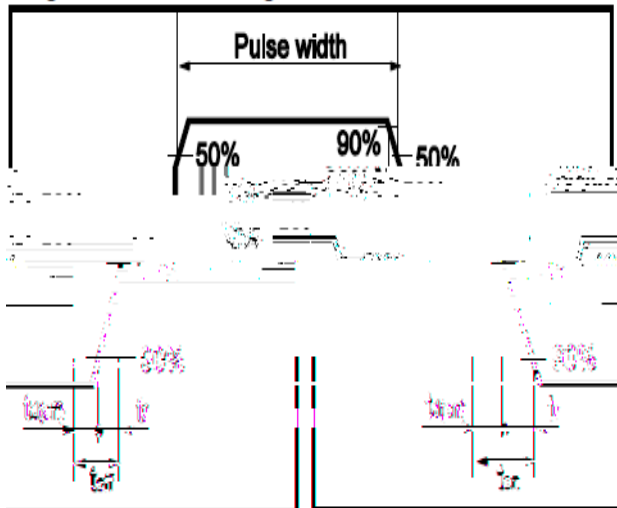
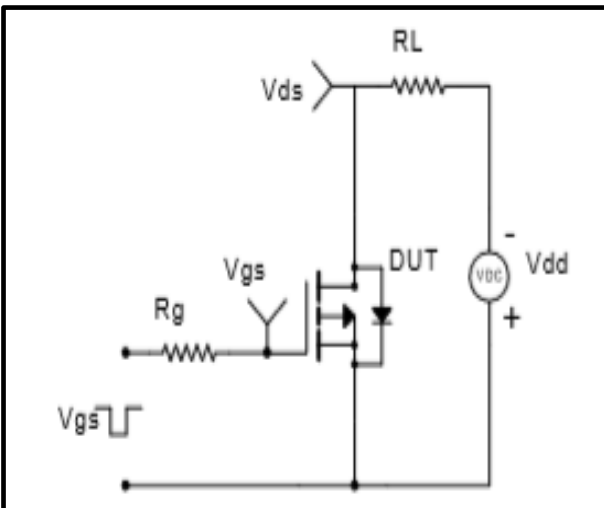


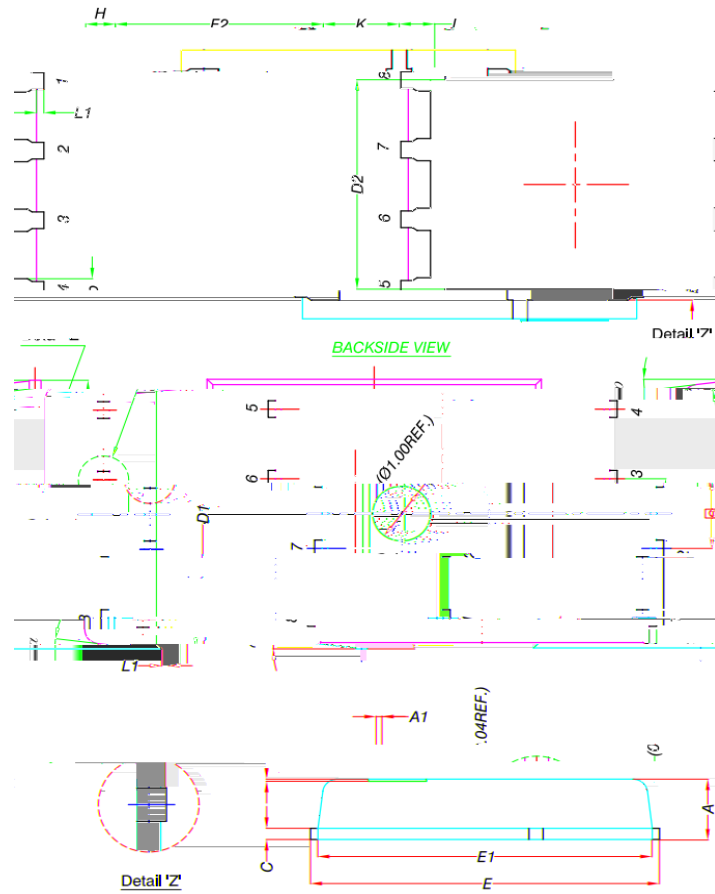
Fig.12 Gate Charge Waveform





Dimensions DFN5x6

Unit mm



DIM.	MILLIMETERS		
	MIN.	NOM.	MAX.
A	0.90	1.00	1.10
A1	0	-	0.05
b	0.33	0.41	0.51
C	0.20	0.25	0.30
D1	4.80	4.90	5.00
D2	3.61	3.81	3.96

