

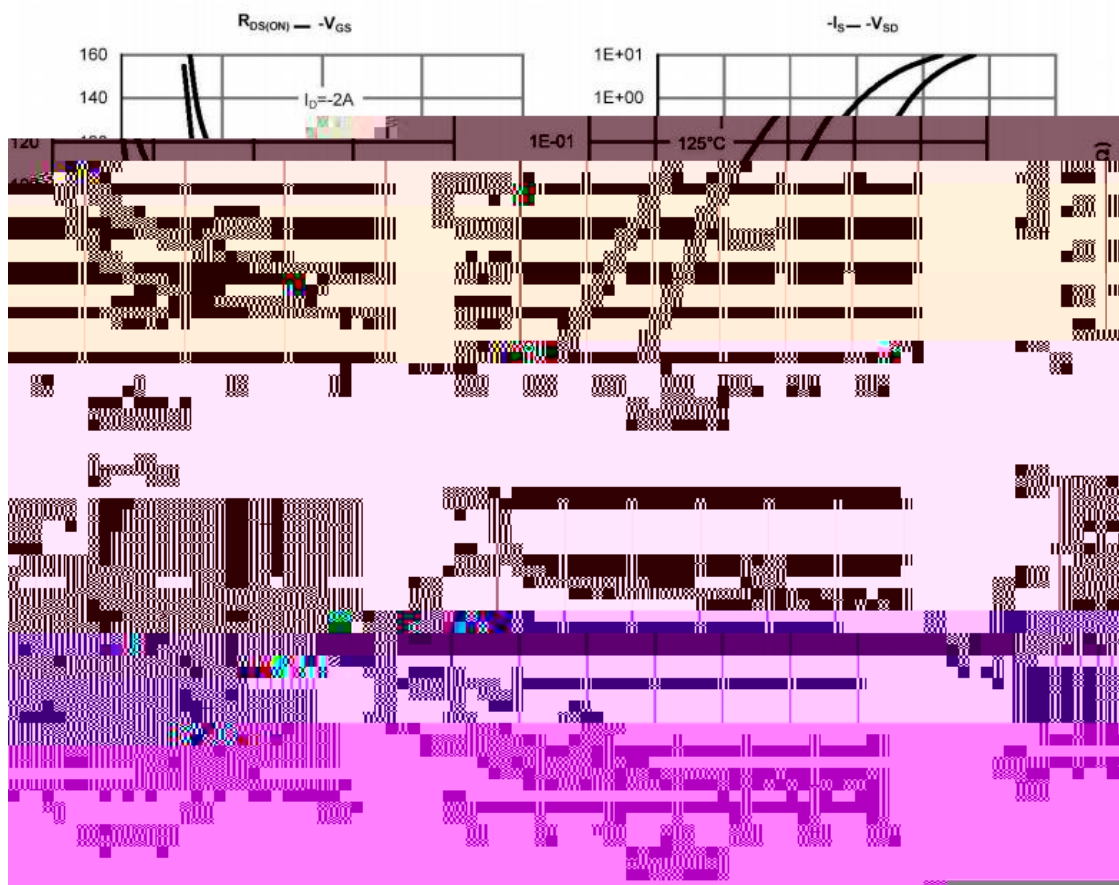
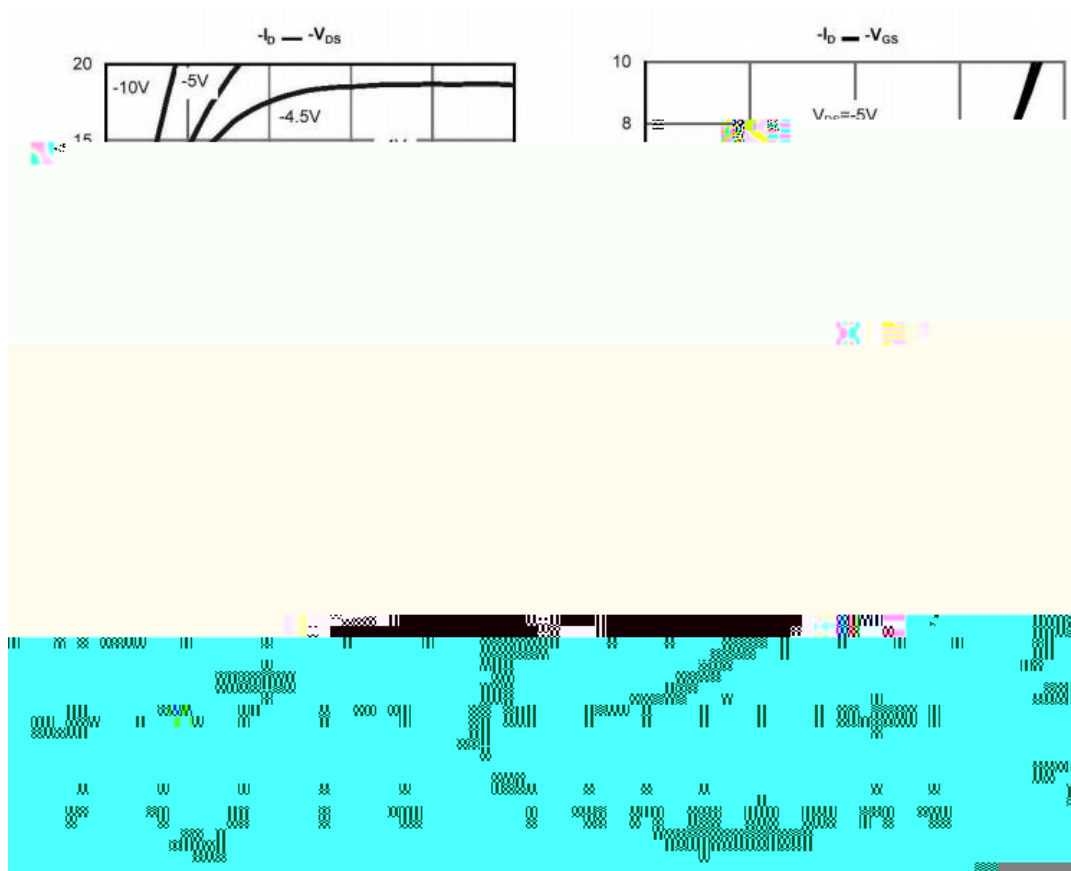
ngs $T_c = 25$

	Symbol	Rating	Unit
	V_{DS}	-30	V



Parameter	Symbol	Condition	Min.	Typ	Max.	Unit
Drain-Source Breakdown Voltage	BV_{DSS}	$V_{GS} = 0V, I_D = -250\mu A$	-30			V

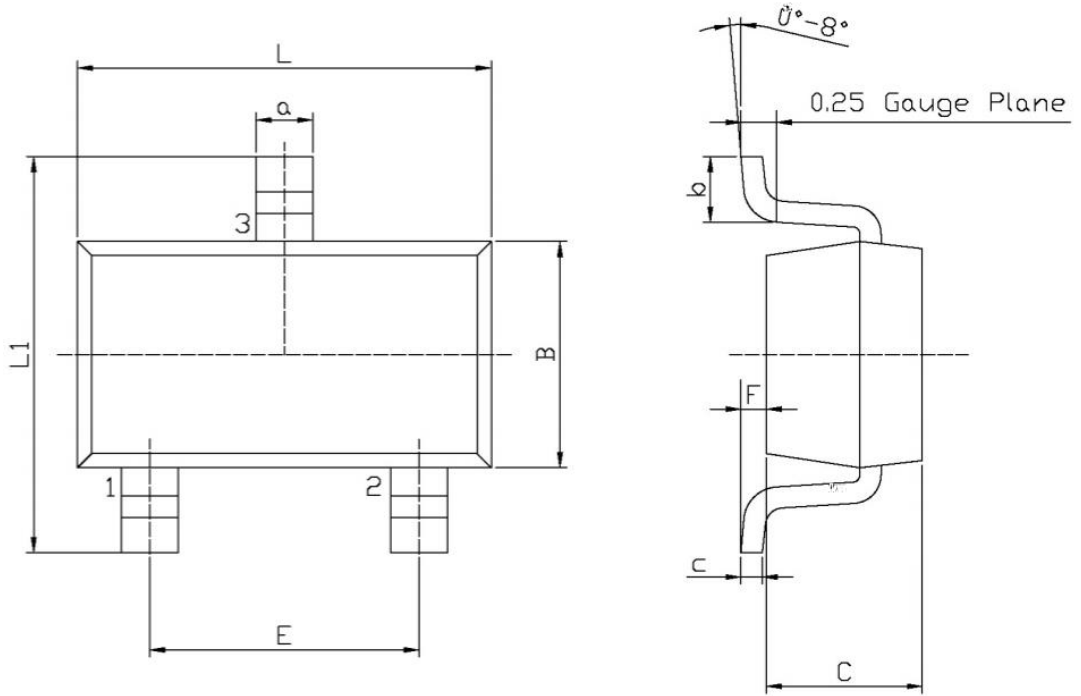
characteristics curve





Dimensions (SOT-23)

Unit mm



Dimensions in Millimeters		Units	
Symbol	Max	Symbol	Max
L	3.02	L1	3.50
B	1.27	E	1.30
a	0.90	F	0.30
b	0.50	c	0.20
E	1.27		