

**Ordering Information:****Absolute Maximum Ratings $T_C = 25$**

Parameter	Symbol	Rating	Unit
Drain-Source Voltage	V_{DS}	30	V
Gate-Source Voltage	V_{GS}	± 20	V
Continuous Drain Current	$I_D @ T_C = 25$	22	A
	$I_D @ T_C = 75$	16.7	A
	$I_D @ T_C = 100$	13.8	A
Pulsed Drain Current	I_{DM}	66	A
Total Power Dissipation	$P_D @ T_C = 25$	4.0	W
Total Power Dissipation	$P_D @ T_A = 25$	0.75	W
Operating Junction Temperature	T_J	-55 to 150	
Storage Temperature	T		



Thermal resistance

Parameter	Symbol	Min.	Typ.	Max.	Unit
Thermal resistance, junction - case					



Fig.

Fig.7 Switching Time Measurement Circuit

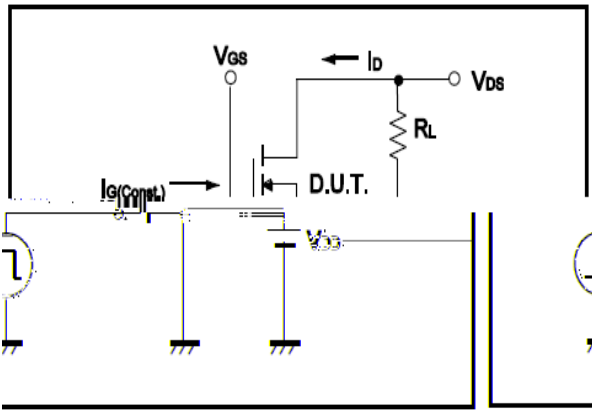


Fig.8 Gate Charge Waveform

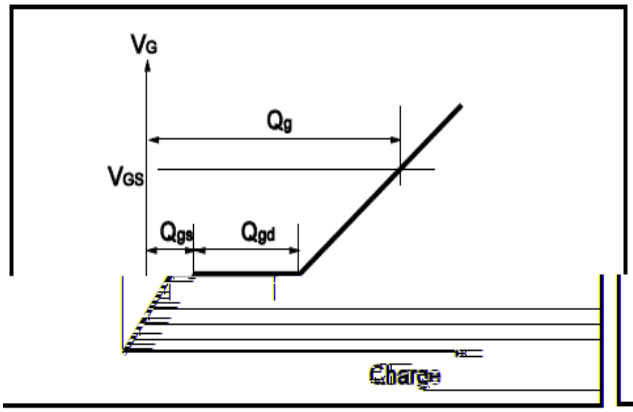


Fig.9 Switching Time Measurement Circuit

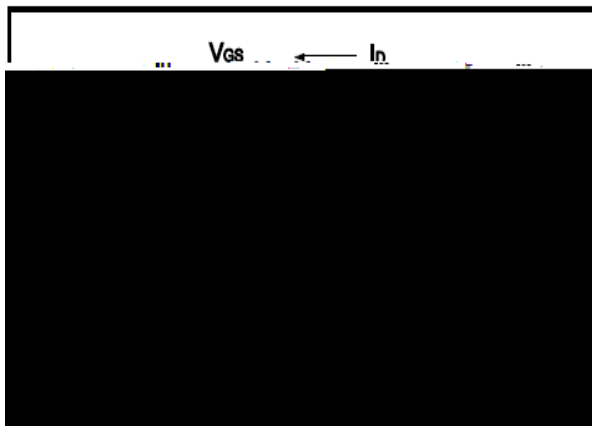


Fig.10 Gate Charge Waveform

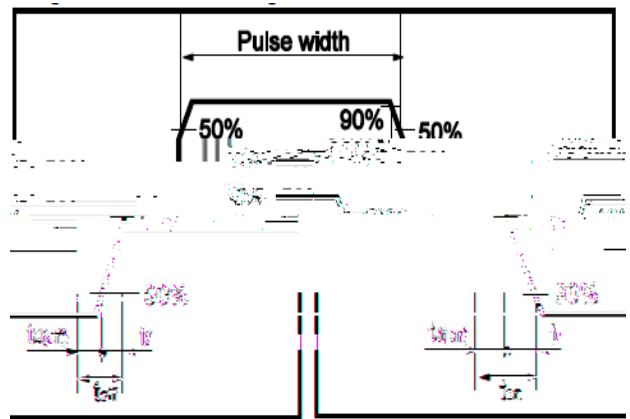


Fig.11 Avalanche Measurement Circuit

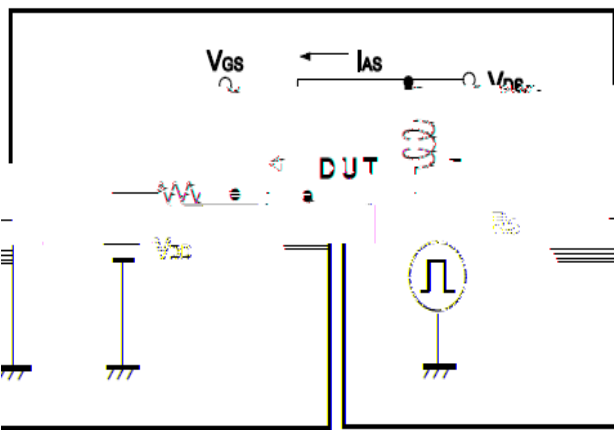
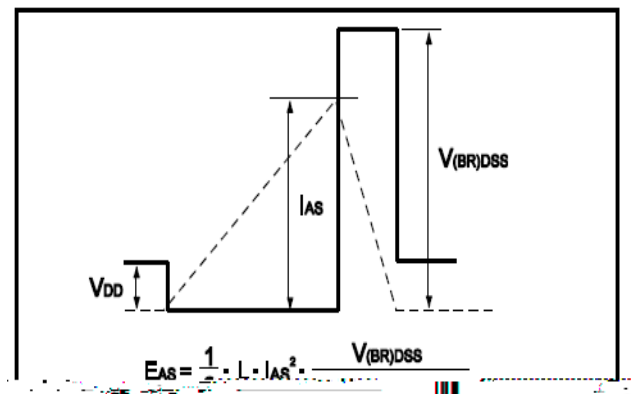


Fig.12 Avalanche Waveform





Dimensions(SOP8)

Unit: mm

SYMBOL	min	TYP	max	SYMBOL	min	max
A	4.80		5.25	C	1.30	1.75
A1						