



**Ordering Information:**

**Absolute Maximum Ratings  $T_C = 25$**

Parameter	Symbol	Rating	Unit
Drain-Source Voltage	$V_{DS}$	100	





Fig.7 Switching Time Measurement Circuit

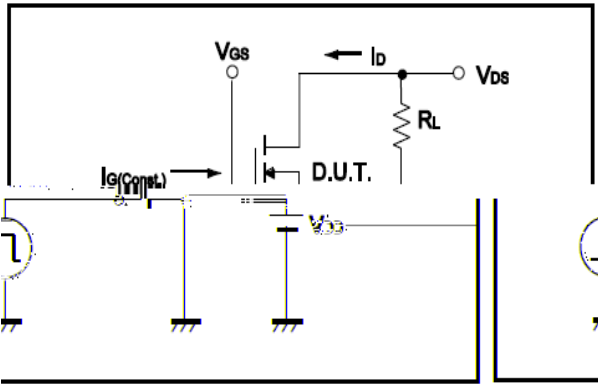


Fig.8 Gate Charge Waveform

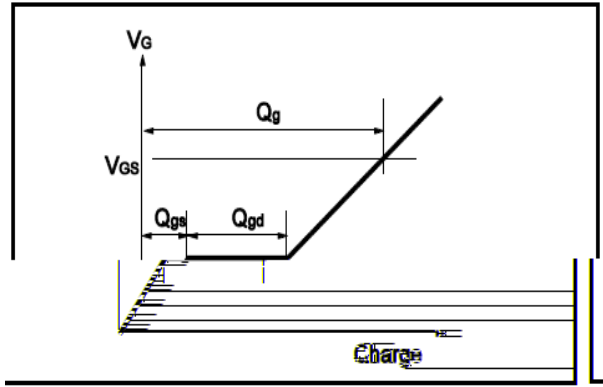


Fig.9 Switching Time Measurement Circuit

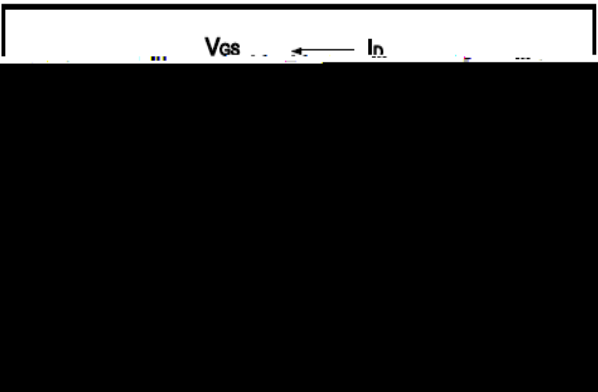


Fig.10 Gate Charge Waveform

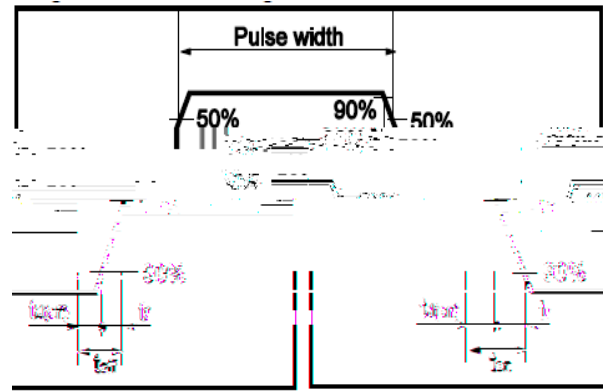


Fig.11 Avalanche Measurement Circuit

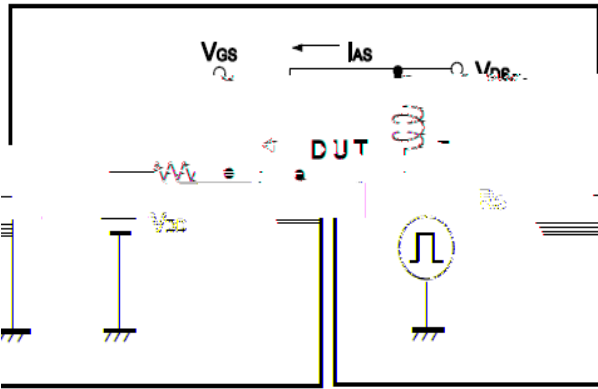


Fig.12 Avalanche Waveform

